



BOROUGH OF MINERSVILLE

2 East Sunbury Street – Minersville, PA 17954-1719
Phone (570) 544-2149 Fax (570) 544-6578

POOL PERMIT INFORMATION

REQUIRED INFORMATION

1. A Plot Plan showing the proposed pool, equipment and fence with the distances to the side, rear and front of property lines. Also, show locations of existing structures and septic system (if applicable).
2. POOL TYPE (all pools over twenty-four (24") in height):
 - a. **Above Ground:** Submit one (1) copy of equipment specifications, pool style/sizes, fencing style/sizes (pool supplier can provide required information).
 - b. **In Ground:** Submit two (2) copies of pool construction drawings and one (1) copy of equipment specifications and fencing style/sizes
 - c. **Heated Pools:** Submit one (1) copy of heater specifications.
 - d. **Hot Tubs and Spas:** Submit one (1) copy of tub/spa specifications, and UL listing of cover (if not protected by a fence).

WORK SHALL NOT PROCEED UNTIL REQUIRED FIELD INSPECTION HAS BEEN PERFORMED AND APPROVAL IS GIVEN BY THE CODE ENFORCEMENT OFFICER.

ORDER OF INSPECTIONS

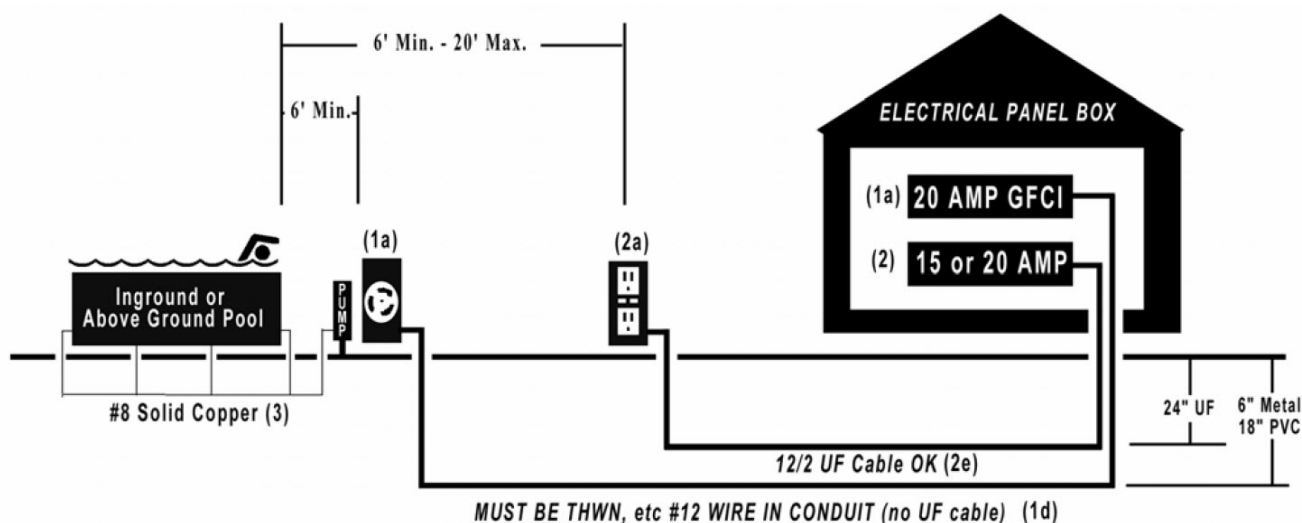
- **Above Ground**
 - Pre-Pour (if required):
 - All rebar in place (check proper clearances)
 - Rebar and equipotential bonding must be complete
 - Final:
 - Pool and barrier fence must be complete
 - Electrical systems and metal component bonding must be complete
- **In-Ground**
 - Pre-pour
 - All rebar in place (check proper clearances)
 - Rebar and equipotential bonding must be complete
 - Final:
 - Pool and barrier/fence must be complete
 - Electrical systems and metal component bonding must be complete

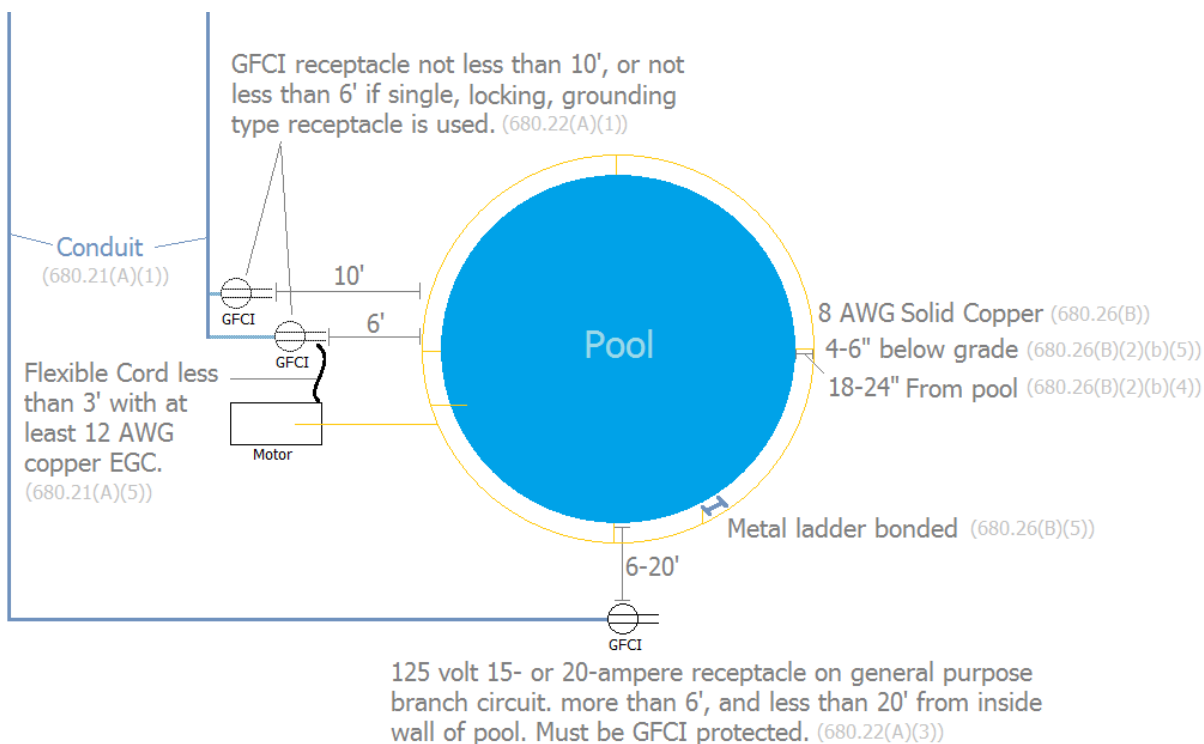
WORK SHALL NOT PROCEED UNTIL REQUIRED PLAN REVIEW AND/OR FIELD INSPECTION HAS BEEN PERFORMED AND APPROVAL IS GIVEN BY THE CODE ENFORCEMENT OFFICER

*Please schedule inspections 24-hours in advance
Code Enforcement Officer 570-544-2149*

Electrical Wiring, Grounding and Equipotential Bonding

- A GFCI-protected convenience receptacle is required between six (6') to twenty (20') feet zone from the pool
- If the GFCI-protected pool equipment (e.g. pump) receptacle is located between six (6') to ten (10') feet from the pool, the receptacle must be a single twist locking outlet and GFCI-protected.
- Feeder wires shall be individual conductors and any wiring method employed shall contain an insulated copper equipment grounding conductor (minimum size: 12 AWG). The conductors are to be contained in PVC or metal conduit.
- The pool structure, pool equipment/parts, any metal within five feet (5') of the pool, perimeter surface and the pool water are required to be bonded. Minimum: 8 AWG solid copper wire conductor.
- Listed and labeled bonding connectors are required to be stainless steel, brass copper or copper alloy.
- Perimeter Surface Bonding for Permanently Installed Pools (in ground or above ground – NEC 680.26(B)(2)): the perimeter surface shall extend under 1) paved and 2) unpaved walking surfaces for 3 feet horizontally beyond the inside walls of the pool. Bonding methods: 1) utilize structural reinforcing steel in paved surface, or 2) if no structural reinforcing steel is used or the surface is unpaved, an 8 AWG bare solid copper conductor is to be installed 18-24 inches from the inside wall around the pool perimeter at a depth below grade of 4-6 inches. Note: The perimeter surface bonding medium has to be attached to the pool structural reinforcing steel or copper conductor grid at a minimum of four points uniformly spaced around the perimeter of the pool.





Fencing and Barriers

- The pool must be surrounded by a barrier/fence. HEIGHT: four (4') foot minimum above grade. Any portion of an ABOVE GROUND pool wall less than four (4') feet in height above grade requires a barrier/fence for that section of the above ground pool.
- When an exterior wall of a dwelling is used as a barrier, (1) the pool must be equipped with a powered safety cover, (2) any door with direct access must have an alarm that produces an audible warning when opened OR (3) other means of protection (e.g. self-closing and self-latching door).
- Any openings in the fence must be four inches (4") or less for vertical baluster-style and two and one-quarter inches (2 1/4") or less for mesh-type.
- Any access gates must open outward away from pool and be self-closing and self-latching.
- If the gate latch is less than fifty four (54") inches above the bottom of the gate, (a) the latch must be located on the pools side of the gate at least three (3") inches below the top of the gate, AND (b) the gate and the barrier shall have no opening greater than one-half inch (1/2") within eighteen (18") inches of the latch release mechanism.
- Where an ABOVE GROUND pool structure is used as a barrier or where the barrier is mounted on the top of the pool structure and the means of access is ladder/steps, (1) the ladder/steps shall be capable of being secured/locked/removed to prevent access, OR (2) the ladder/steps shall be surrounded by a barrier.